

CRITERIA FOR REPLACEMENT STATE OF LIFTY WITH WIRE ROPE

Lifting devices are strictly recommended to be inspected by an expert annually considering the following criteria. Depending on the working conditions the inspections might be necessary in shorter intervals than only once a year. This might be caused by frequent use, increased wear, corrosion or heat treatment.

Prior inspection of the Lifty with wire rope it must be cleaned. Within an inspection the following points have to be considered:



Loosening of external layer



Contusions in the support area

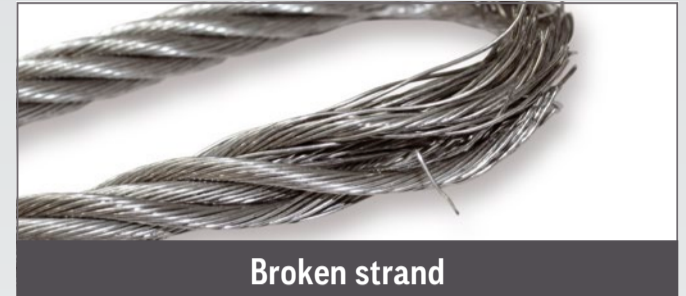


Deformation of the threaded bolt



Deformation of the thread

- » Broken strand (picture)
- » Kinks and bends
- » Loosening of external layer (picture)
- » Contusion in free lengths
- » Contusions in the support area of the eye with more than 4 broken wires (picture)
- » 4 broken wires on a length of the threefold of the wire rope diameter
- » 6 broken wires on a length of the sixfold of the wire rope diameter
- » 16 broken wires on a length of the thirtyfold of the wire rope diameter
- » Damaged or deformed wire rope connection or threaded area (e.g. twisted ring bolt)
- » Cracks or the capacity reducing corrosion pits (picture)
- » Unreadable or missing tag
- » Strongly deformed or missing thimble
- » Welding or other strong heat influences
- » Dropping below the permissible wear measurements



Broken strand



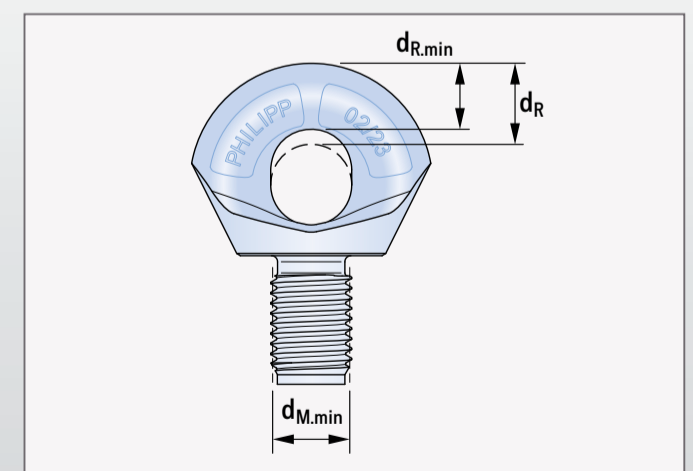
Damaged wire rope connection



Crack on the ring bolt

TEST DIMENSIONS

Load class	$d_{M.min}$ (mm)	d_R (mm)	$d_{R.min}$ (mm)
12	11,50	16	14,4
14	13,50	16	14,4
16	15,45	16	14,4
18	17,40	22	19,8
20	19,40	22	19,8
24	23,40	22	19,8
30	29,40	32	28,8
36	35,40	32	28,8
42	41,20	39	35,1
52	51,20	39	35,1



If **one of the above-mentioned points** is fulfilled the Lifty with wire rope has reached its replacement state and **must not be used anymore.**

TO BE REPLACED

